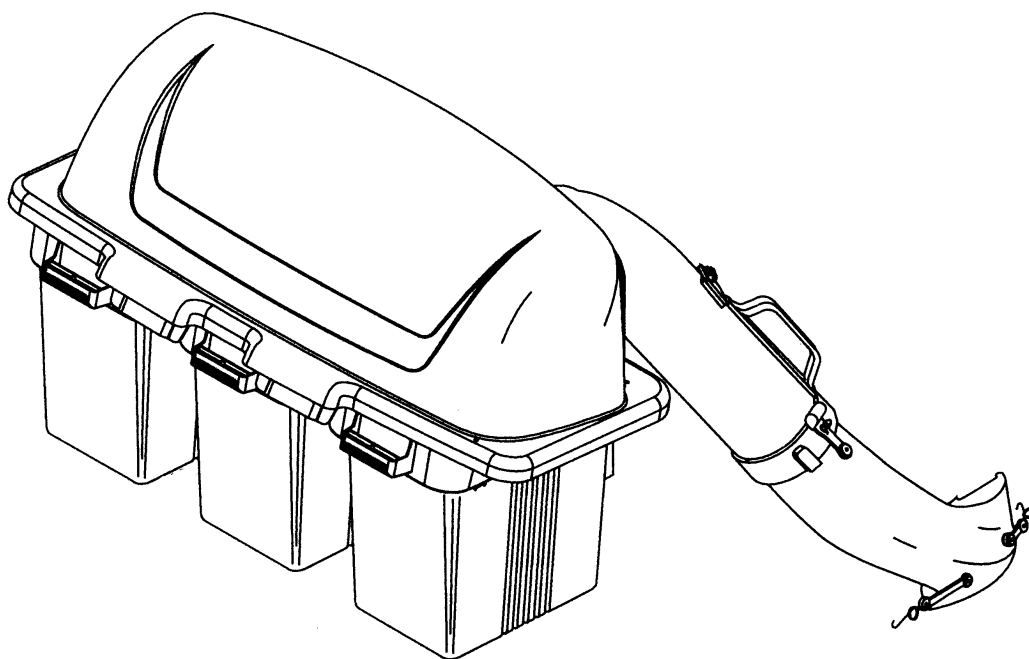


# Parts Manual

For  
48 Inch Consumer Z  
Grass Catcher

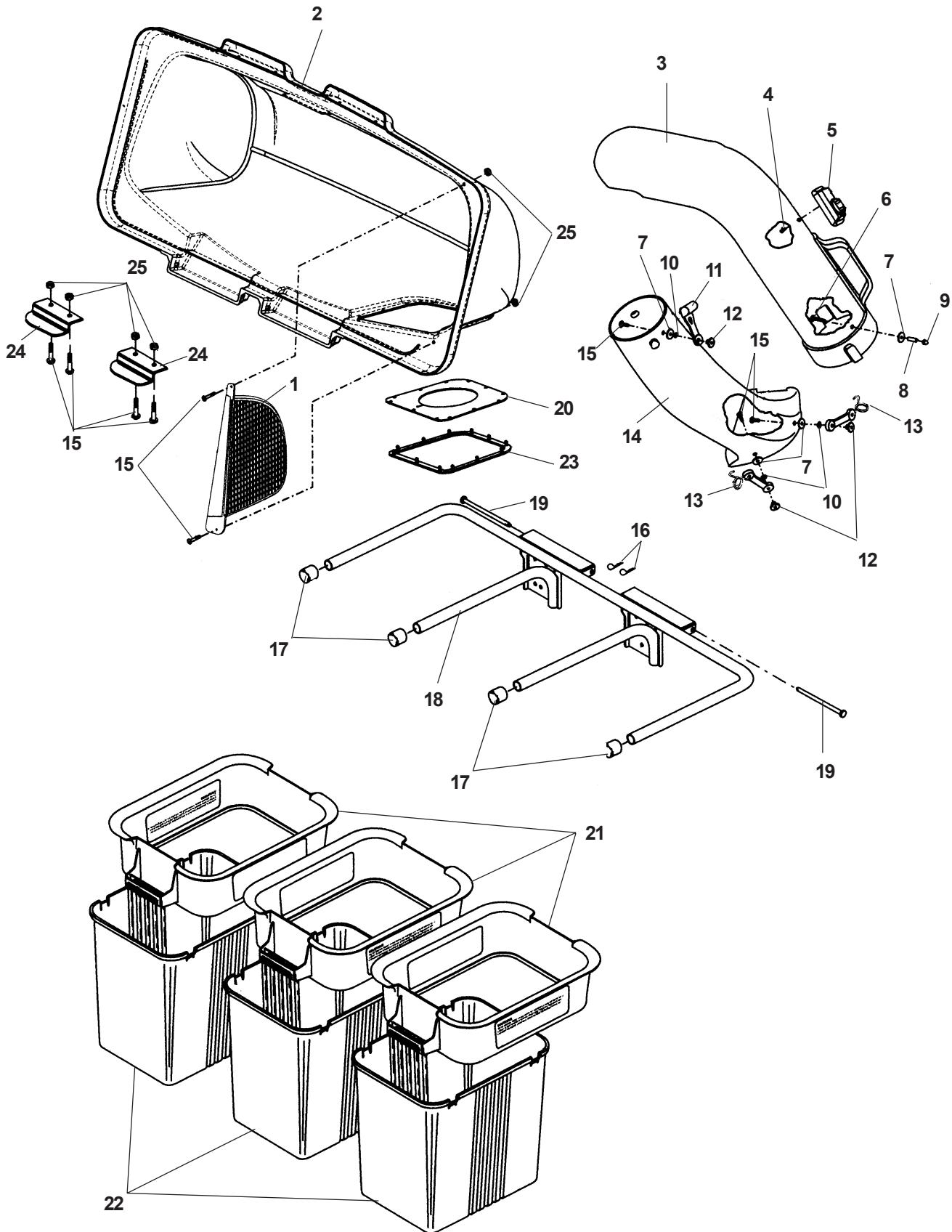


**Model:**

**968999248 / CZ48**

For Serial No. 043029591 & Higher

# PARTS



---

# PARTS

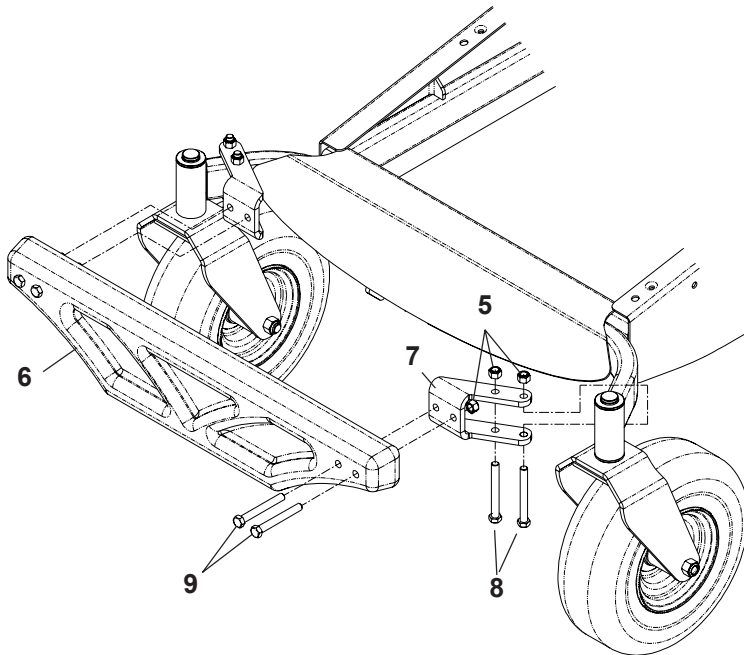
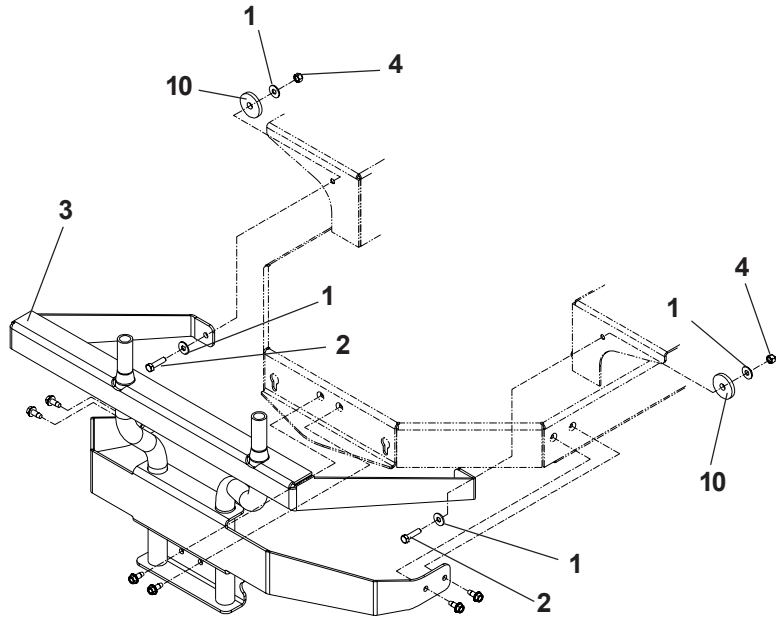
---

ITEM	PART NO.	QTY.	DESCRIPTION
1	(532) 192709	1	Screen, cover
2	(532) 195373	1	Cover
3	(539) 108141	1	Chute, upper
4	(539) 108081	1	Screw, #10-14 x 1/2, special
5	(539) 108082	1	Dump bag indicator
6	(539) 108083	1	Screw, #10-24 x 1 1/8
7	(539) 108084	4	Washer, 3/16 x 3/4 x 16 Ga.
8	(539) 108085	1	Spacer, split
9	(539) 108086	1	Nut, #10-24, acorn
10	(539) 109552	3	Lockwasher, 3/16
11	(539) 108088	1	Latch, chute
12	(539) 108089	3	Nut, weld
13	(539) 108194	2	Latch, assembly
14	(539) 108092	1	Chute, lower
15	(539) 976952	9	Screw, #10-24 x 5/8
16	(539) 108096	2	Spring, retainer
17	(539) 108097	4	Plug, tubing end
18	(539) 108098	1	Bagger, frame
19	(532) 192786	2	Pin, hinge
20	(532) 192550	1	Gasket, cover
21	(539) 108101	3	Container, top
22	(539) 108102	3	Container, bottom
23	(532) 192603	1	Seal, cover
24	(532) 130895	2	Handle, bagger cover
25	(539) 976977	14	Nut, #10-24, crownlock
	(539) 108447	1	Decal, CE, (Not shown)
	(539) 108163	1	Decal, Catcher, (Not shown)

---

# PARTS

---



---

# PARTS

---

ITEM	PART NO.	QTY.	DESCRIPTION
1	(539) 990692	4	Washer, 5/16
2	(539) 990627	2	Bolt, 5/16-18 x 1 1/4
3	(539) 108014	1	Hitch
4	(539) 990717	2	Nut, 5/16-18, nyloc
5	(539) 976979	8	Nut, 3/8-16, nyloc
6	(539) 111587	1	Cast weight
7	(539) 111565	2	Weight bracket
8	(539) 923463	4	Bolt, 3/8-16 x 3 1/4
9	(539) 101341	4	Bolt, 3/8-16 x 3
10	(539) 106504	2	Washer, special